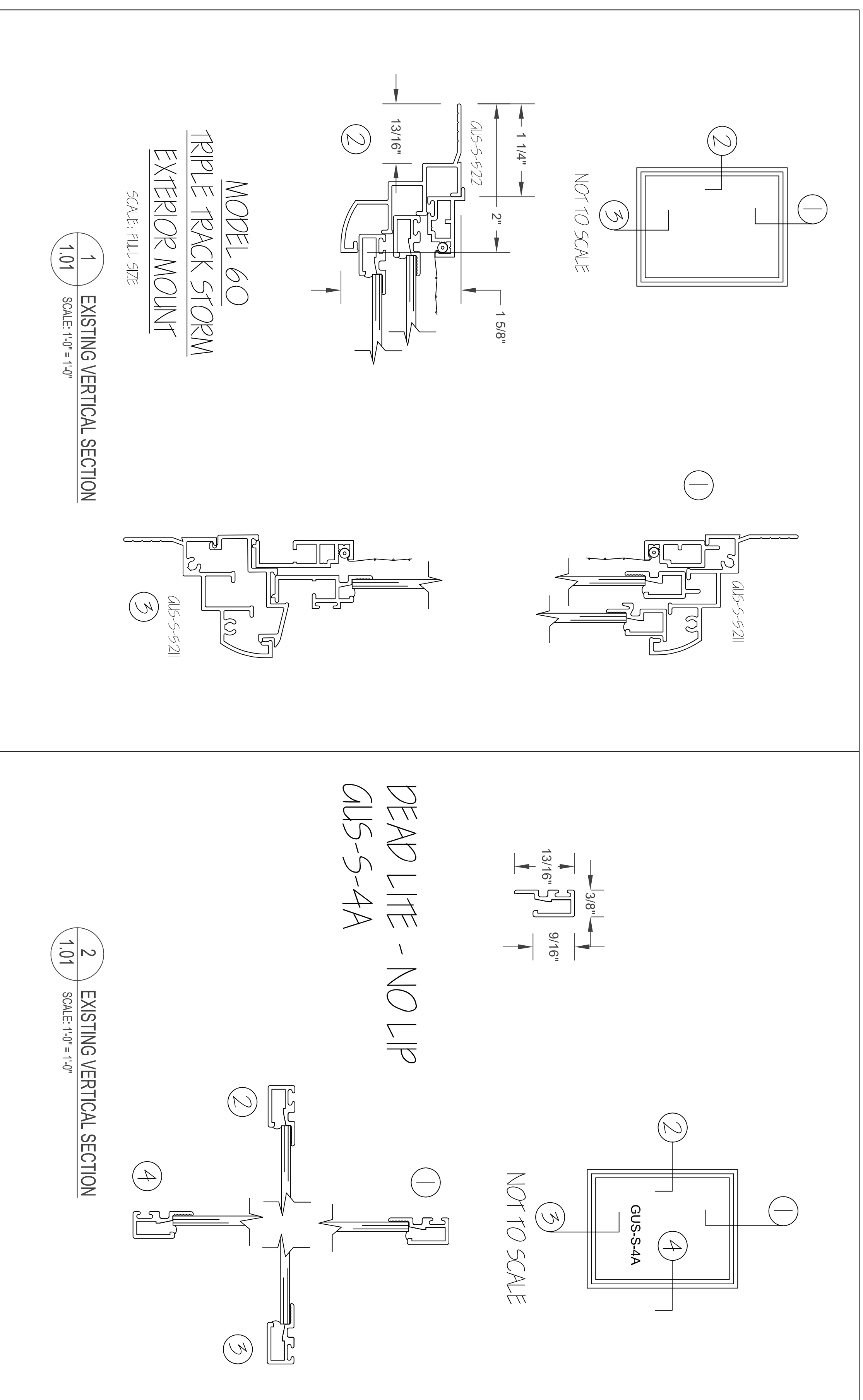
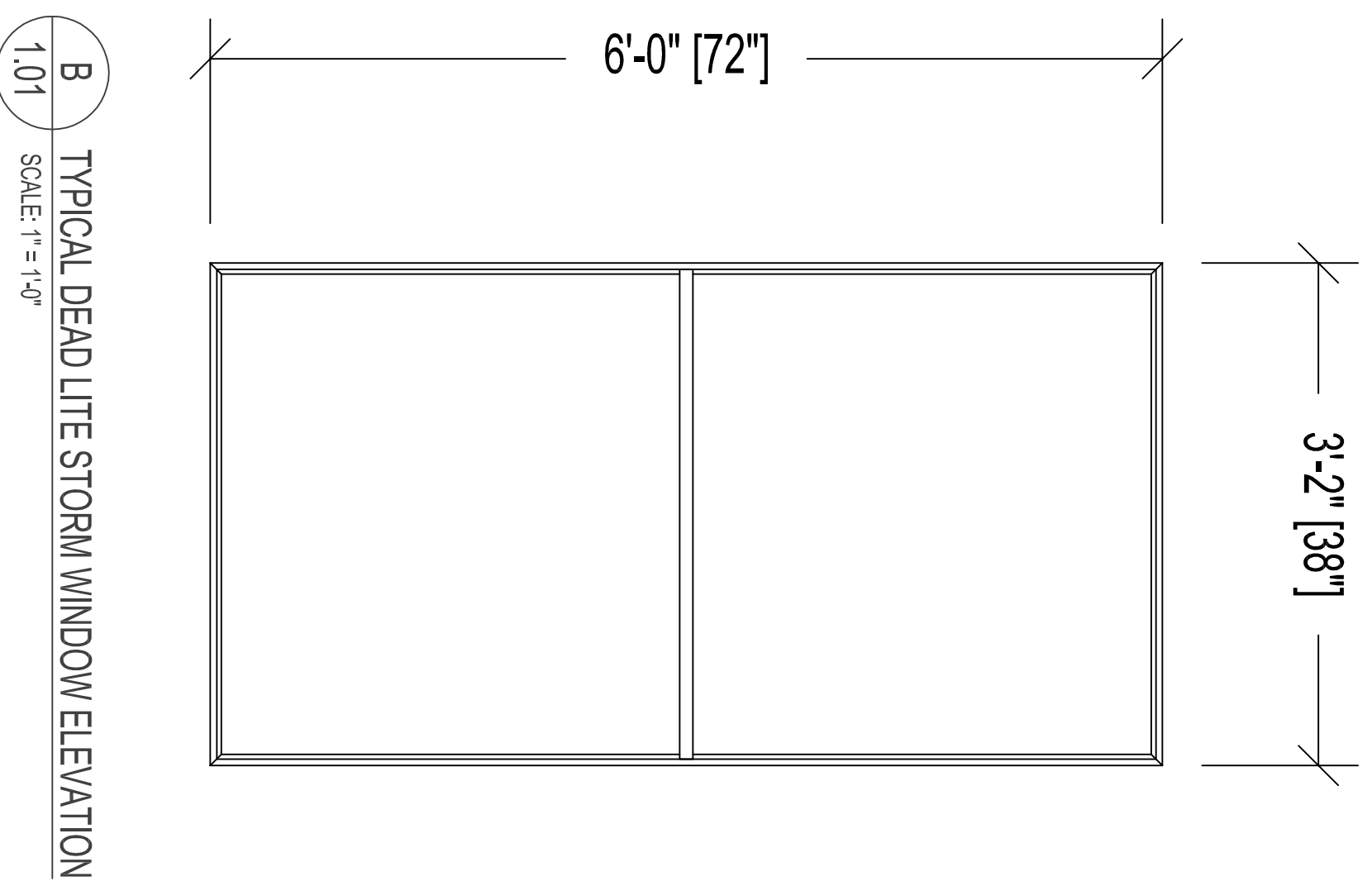
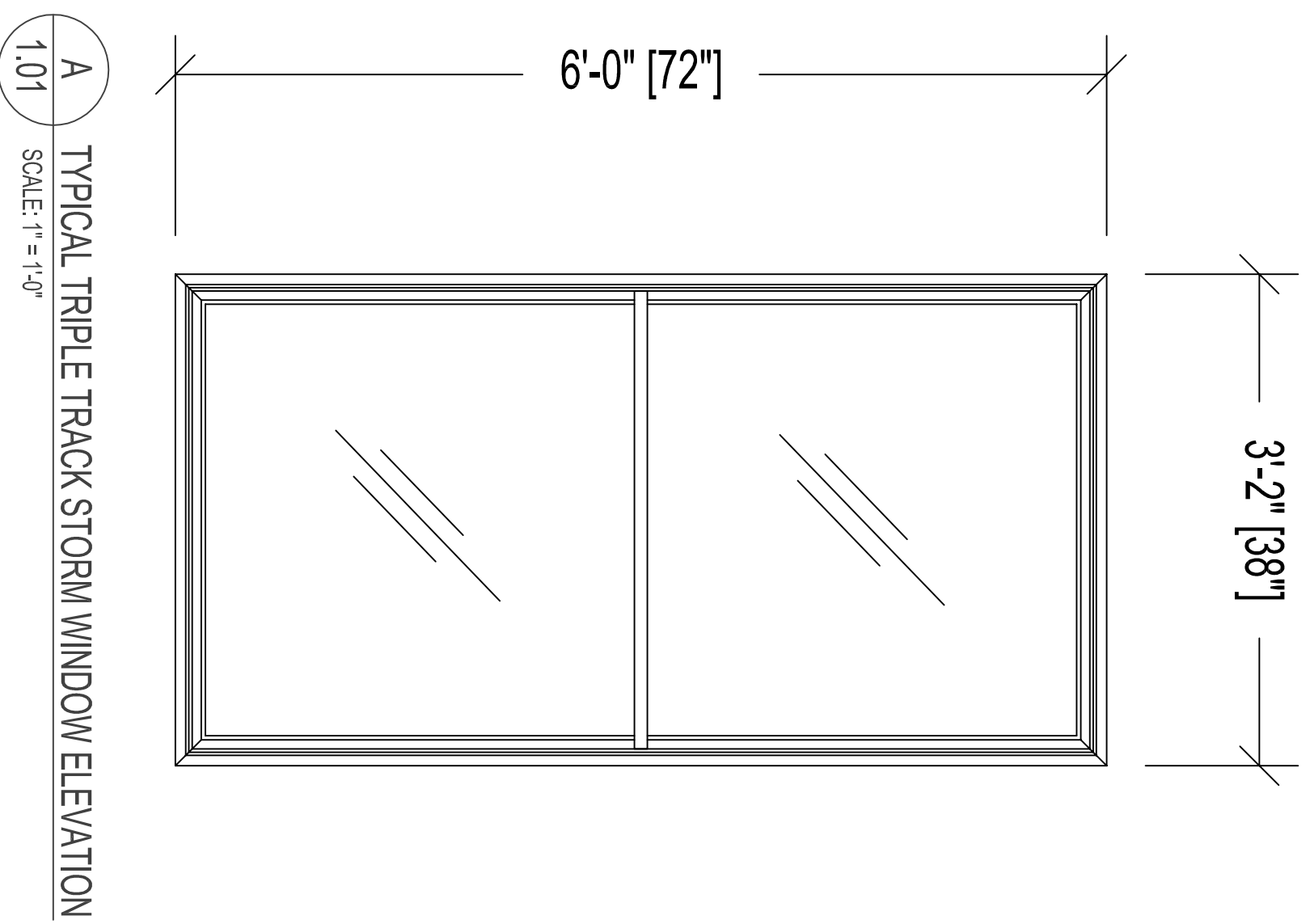


ABBREVIATIONS

DLO	DAYLIGHT OPENING	EXTG	EXISTING
FD	FRAME DIMENSION	ALUM	ALUMINUM
RO	ROUGH OPENING	TYP	TYPICAL
NIC	NOT IN CONTRACT	TBD	TO BE DETERMINED
CW	CURTAIN WALL	CJ	CAULK JOINT
FO	FACE OF	BO	BY OTHERS



PRODUCTS USED	
STERGIS WINDOWS AND DOORS	
PRODUCT	WIDTH
Model 60 Triple Track Storm Window :	2"
Srl. White Baked Frame Finish	
DEPTH	VARIABLES
Model 41A Dead Lite Storm Window :	VARIABLES
Srl. White Baked Frame Finish	

GLAZING SCHEDULE	
SYMBOL	DESCRIPTION
GL-1	OVERALL THICKNESS 1/8" - 1/8" CLEAR TEMP.

DATE: 3/6/12	ARCHITECT	CUSTOMER	#	REVISIONS	DATE
DRAWING # 1.01	PROJECT				
SCALE: AS NOTED					